



CITY OF EL MONTE

Building & Safety Division

Assembly Bill No. 783

Starting **January 1, 2024**, The City of El Monte will be required to provide a written notice to each applicant for a new or renewed business license of the requirement that

all single-user toilet facilities in any business establishment, place of public accommodation, or government agency be identified as all-gender toilet facilities.



AB 783 is related to AB 1732 (Ting) from 2016, which enacted a restroom policy requiring all single-occupancy restrooms in businesses, government buildings, and places of public accommodation be available to everyone. AB 1732 authorized health inspection officials to check for compliance during health inspections.

AB 783 is designed to boost compliance with AB 1732 by ensuring businesses are aware of the requirements.

Assembly Bill 1732, enacted as Health and Safety Code section 118600, requires the following: "All single-user toilet facilities in any business establishment, place of public accommodation, or state or local government agency shall be identified as all-gender toilet facilities by signage that complies with Title 24 of the California Code of Regulations, and designated for use by no more than one occupant at a time or for family or assisted use." For the purposes of section 118600, "single-user toilet facility" means a toilet facility with no more than one water closet (or flush toilet) and one urinal with a locking mechanism controlled by the user.

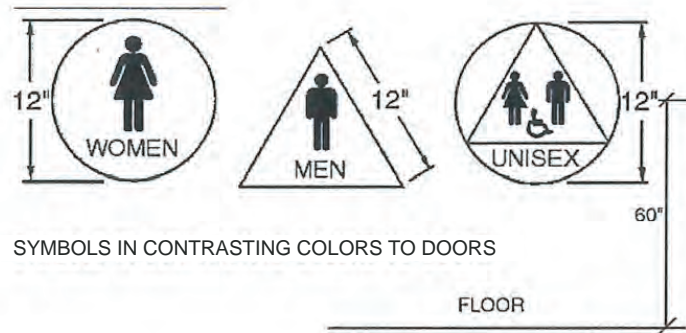
for more information on AB783, please visit:

https://leginfo.legislature.ca.gov/faces/billNavClient.xhtml?bill_id=202320240AB783

For more information, please contact the Building & Safety Division at (626)580-2050
Monday–Thursday 7:30am – 5:30pm

AT TOILET FACILITIES:

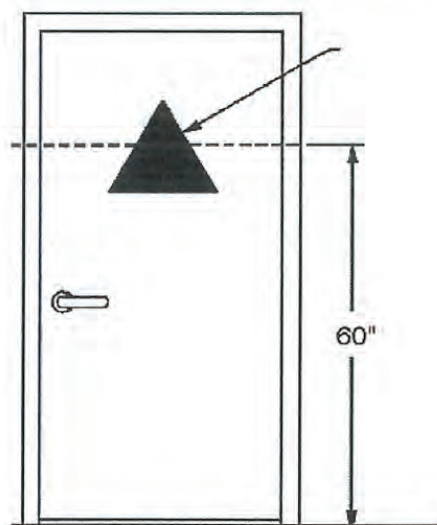
Doorways leading to toilet facilities shall have geometric signs centered on the door at a height of 60" above floor and their color and contrast shall be distinctly different from the color and contrast of the door. An additional sign pictogram shall be installed on the wall adjacent to the latch outside of the door at 60" above floor with raised letters & braille. (CBC 11B-703.7.2.6.3, CBC 11B-703.4)



(DOOR SIGNS) GEOMETRIC



WALL SIGNS (PICTOGRAM)



TOILET ROOM SIGNAGE

For more information, please contact the Building & Safety Division at (626)580-2050
Monday–Thursday 7:30am – 5:30pm